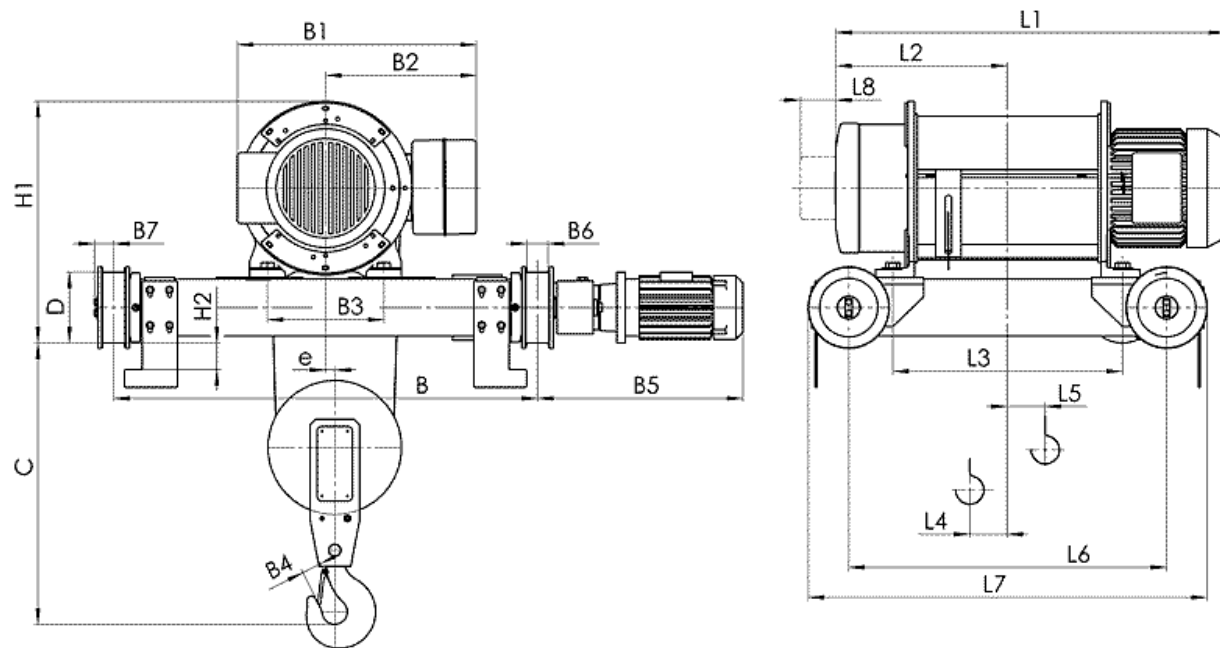


Канатный электротельфер Т81 Передвигаемый двухрельсовой тележкой, полиспаст 2/1



(1) с микроподъемом (2) с ограничителем груза (3) с ограничителем груза и с микроподъемом

| Тип | Полиспаст 2/1 | | Размеры, мм | | | | | | | | | | | | | | | | | | | | | | | | | | | | | | | | | | | | |
|---------|-------------------|----------------------|------------------------|----------|------|-----|------|-----|-----|------|------|----|-----|-------------|------|---|---------------------------|-----|----|---------------|----|----|----|-----|-----|----|-----|-------------|------|---|---------------------------|-----|----|---------------|----|----|----|-----|-----|
| | Высота подъема, m | Грузоподъемность, kg | Скорость подъема m/min | | L2 | L3 | L4 | L5 | L6 | L7 | L8 | H1 | H2 | B | B1 | B2 | B3 | B4 | B5 | B6 | B7 | e | C | D | | | | | | | | | | | | | | | |
| | | | 8 12 | 8/2 12/2 | | | | | | | | | | | | | | | | | | | | | | | | | | | | | | | | | | | |
| | | | L1 | | | | | | | | | | | | | | | | | | | | | | | | | | | | | | | | | | | | |
| T813... | H1 | 6 | 1000 | 709 | 749 | 310 | 365 | 48 | 55 | 565 | 750 | 70 | 470 | 43... 58 | 1000 | 465 492 ⁽¹⁾ 557 ⁽³⁾ | 300 365 ⁽²⁾ | 200 | 40 | 455... 510 | 50 | 50 | 18 | 500 | 160 | | | | | | | | | | | | | | |
| | H2 | 9 | | 814 | 854 | 362 | 470 | 75 | 82 | 670 | 855 | | | | | | | | | | | | | | | | | | | | | | | | | | | | |
| | H3 | 12 | | 914 | 954 | 412 | 570 | 100 | 106 | 770 | 955 | | | | | | | | | | | | | | | | | | | | | | | | | | | | |
| | H4 | 18 | | 1114 | 1154 | 512 | 770 | 75 | 231 | 970 | 1155 | | | | | | | | | | | | | | | | | | | | | | | | | | | | |
| | H5 | 24 | | 1314 | 1354 | 612 | 970 | 149 | 332 | 1170 | 1355 | | | | | | | | | | | | | | | | | | | | | | | | | | | | |
| | H6 | 30 | | 1426 | 1490 | 667 | 1004 | 90 | 312 | 1004 | 1189 | | | | | | | | | | | | | | | 80 | 562 | 43... 58 | 1000 | 580 606 ⁽¹⁾ 668 ⁽³⁾ | 380 442 ⁽²⁾ | 270 | 45 | 455... 510 | 50 | 50 | 22 | 500 | 160 |
| | H7 | 36 | | 1526 | 1593 | 712 | 1094 | 110 | 338 | 1294 | 1479 | | | | | | | | | | | | | | | | | | | | | | | | | | | | |
| T814... | H1 | 6 | 2000 | 816 | 880 | 362 | 394 | 45 | 51 | 594 | 779 | 80 | 562 | 43... 58 | 1000 | 580 606 ⁽¹⁾ 668 ⁽³⁾ | 380 442 ⁽²⁾ | 270 | 45 | 455... 510 | 50 | 50 | 22 | 550 | 160 | | | | | | | | | | | | | | |
| | H2 | 9 | | 926 | 990 | 417 | 504 | 73 | 79 | 704 | 889 | | | | | | | | | | | | | | | | | | | | | | | | | | | | |
| | H3 | 12 | | 1026 | 1090 | 467 | 604 | 96 | 104 | 804 | 989 | | | | | | | | | | | | | | | | | | | | | | | | | | | | |
| | H4 | 18 | | 1226 | 1290 | 567 | 804 | 90 | 212 | 1004 | 1189 | | | | | | | | | | | | | | | | | | | | | | | | | | | | |
| | H5 | 24 | | 1426 | 1490 | 667 | 1004 | 90 | 312 | 1204 | 1389 | | | | | | | | | | | | | | | | | | | | | | | | | | | | |
| | H6 | 30 | | 1535 | 1623 | 710 | 1070 | 88 | 346 | 1270 | 1455 | | | | | | | | | | | | | | | 90 | 657 | 43... 58 | 1000 | 675 682 ⁽¹⁾ 760 ⁽³⁾ | 430 508 ⁽²⁾ | 330 | 45 | 455... 510 | 50 | 50 | 26 | 550 | 160 |
| | H7 | 36 | | 1640 | 1728 | 762 | 1175 | 75 | 398 | 1375 | 1560 | | | | | | | | | | | | | | | | | | | | | | | | | | | | |
| T815... | H1 | 6 | 3200 | 856 | 923 | 377 | 424 | 52 | 59 | 624 | 809 | 80 | 562 | 43... 58 | 1000 | 580 606 ⁽¹⁾ 668 ⁽³⁾ | 380 442 ⁽²⁾ | 270 | 50 | 455... 510 | 50 | 50 | 22 | 650 | 160 | | | | | | | | | | | | | | |
| | H2 | 9 | | 976 | 1043 | 437 | 544 | 82 | 89 | 744 | 929 | | | | | | | | | | | | | | | | | | | | | | | | | | | | |
| | H3 | 12 | | 1086 | 1153 | 492 | 654 | 110 | 116 | 854 | 1039 | | | | | | | | | | | | | | | | | | | | | | | | | | | | |
| | H4 | 18 | | 1306 | 1373 | 602 | 874 | 110 | 226 | 1074 | 1259 | | | | | | | | | | | | | | | | | | | | | | | | | | | | |
| | H5 | 24 | | 1526 | 1593 | 712 | 1094 | 110 | 336 | 1294 | 1479 | | | | | | | | | | | | | | | | | | | | | | | | | | | | |
| | H6 | 30 | | 1640 | 1728 | 762 | 1175 | 75 | 398 | 1375 | 1560 | | | | | | | | | | | | | | | 90 | 657 | 43... 58 | 1000 | 675 682 ⁽¹⁾ 760 ⁽³⁾ | 430 508 ⁽²⁾ | 330 | 50 | 455... 510 | 50 | 50 | 26 | 650 | 160 |
| | H7 | 36 | | 1815 | 1903 | 850 | 1350 | 75 | 436 | 1550 | 1375 | | | | | | | | | | | | | | | | | | | | | | | | | | | | |
| T816... | H1 | 6 | 5000 | 905 | 993 | 395 | 440 | 49 | 66 | 640 | 825 | 90 | 657 | | 1000 | | | 330 | 56 | | 50 | 50 | 26 | 730 | 160 | | | | | | | | | | | | | | |

